

Installation guide

Before installing read this guide first



Introduction

The operation of the Quooker

The Quooker system consists of a small tank under the sink which is connected to the boiling-water tap. This tank is connected to the water by a so-called inlet combination. The water is heated electrically to approx. 110°C and is kept at this temperature. When boiling water is drawn off, cold water flows into the tank at the same time and is automatically heated. Before the water leaves the tank it is purified by the HiTAC® water filter (High Temperature Activated Carbon). If the entire content is used in one go the heating time is ten to twenty minutes, depending on the electrical power (see technical specifications). Different tanks are available: the ST-VAQ (800 W), the PRO3-VAQ (1600 W) and the PRO7-VAQ (3000 W). All Quooker taps are fitted with a childproof push-and-turn control knob and are also vertically adjustable and insulated.

Installation, maintenance and warranty

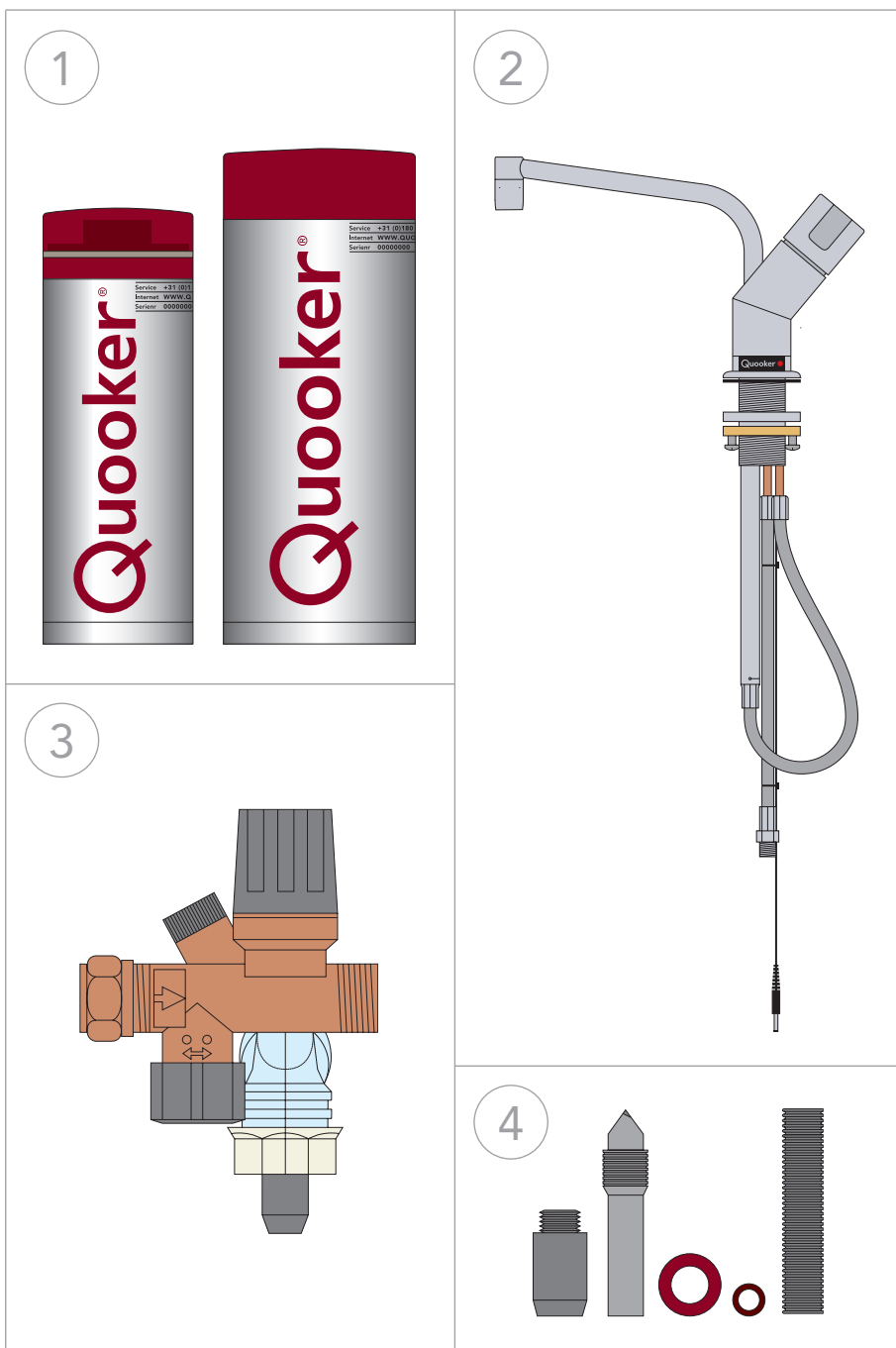
The Quooker can be installed wherever there is a water supply and a socket. The Quooker comes with a handy installation kit (including the required inlet combination) for easy fitting, and is maintenance-free. The HiTAC® filter cartridge has to be replaced about once every five years, when any lime scale that has built is also removed from the tank. The manufacturer gives a two-year warranty on the entire system.

Technical specifications

Tanktype	ST-VAQ	PRO3-VAQ	PRO7-VAQ
Voltage	230 V	230 V	230 V
Wattage	800 W	1600 W	3000 W
Capacity	3 litres	3 litres	7 litres
Heating-up time cold tank	20 mins.	10 mins.	10 mins.
Standby power consumption	10 W	10 W	10 W
Tank height	40 cm	40 cm	45 cm
Tank diameter	15 cm	15 cm	20 cm
Tap hole size	32 mm	32 mm	32 mm
Max. working pressure	8 bar	8 bar	8 bar
Safety features	<ul style="list-style-type: none">• maximum temperature• pressure relief valve 8 bar		
Shut-off valve	ceramic		
HiTAC® water filter	High Temperature Activated Carbon, life expectation approx. 5 years		

Content of the pack

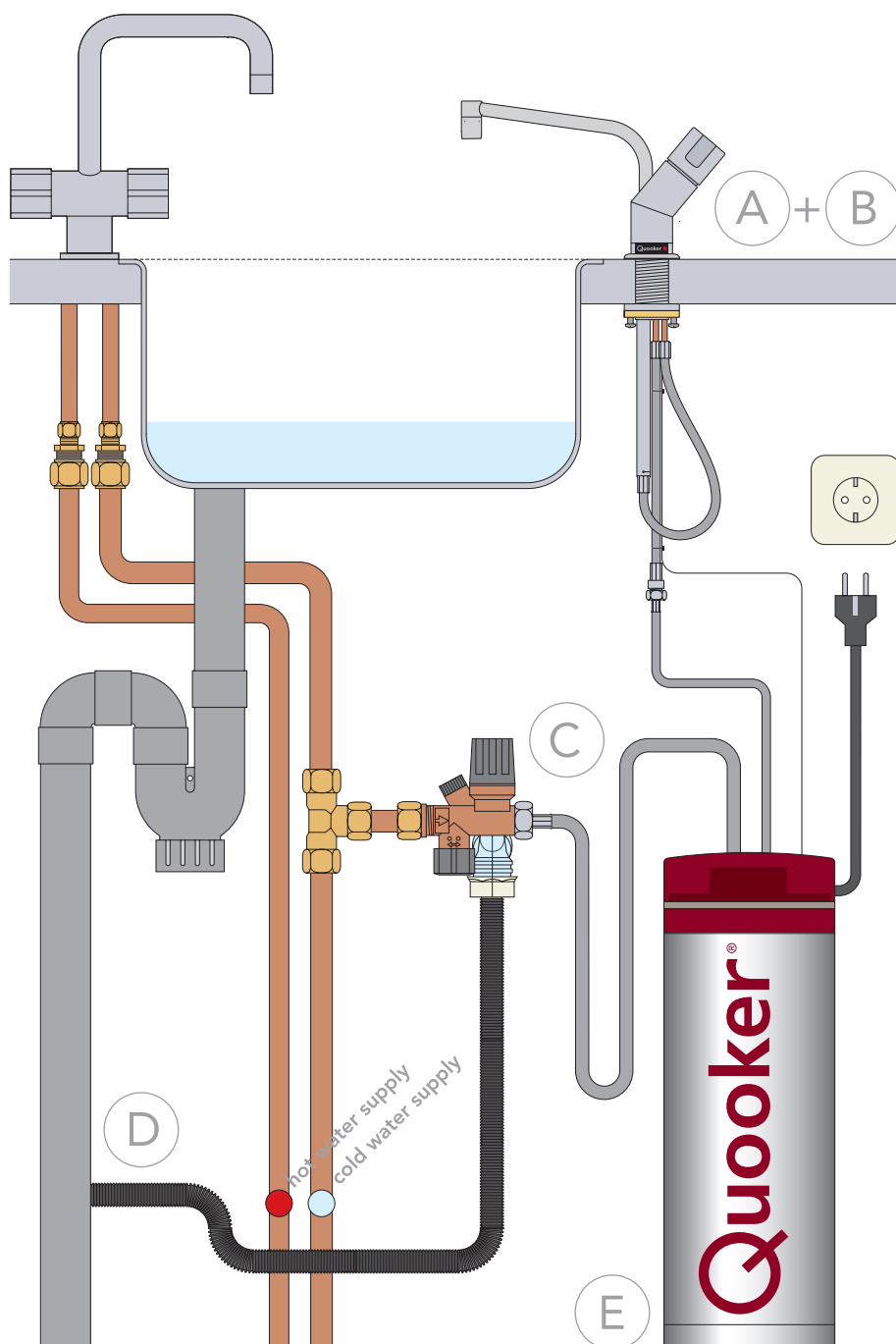
1. Quooker tank
2. Quooker tap
3. Quooker inlet combination
4. Quooker drill bit, fibre rings, PVC nipple and drain hose
5. Quooker brochure
6. Installation guide and tips for use



Overview of Quooker installation

It is recommended that you install the Quooker in the following order:

- A. Drill hole
- B. Fit tap
- C. Connect water
- D. Connect drain
- E. Connect tank



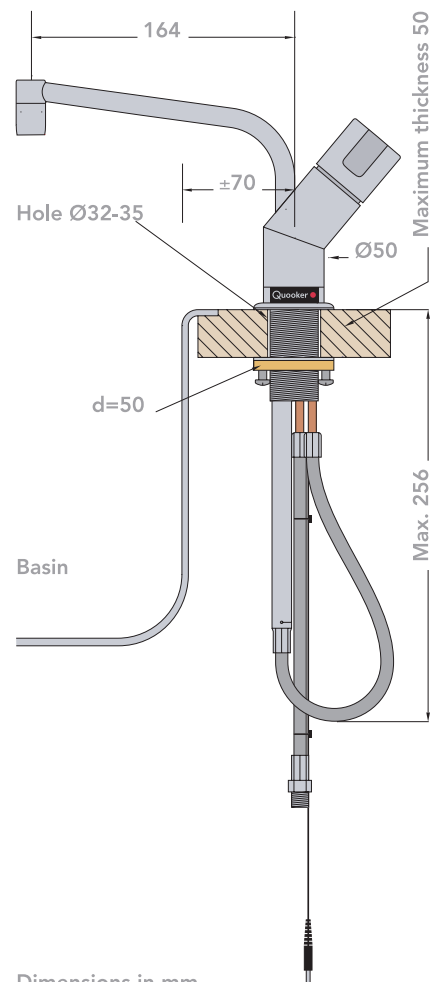
A

Drilling hole

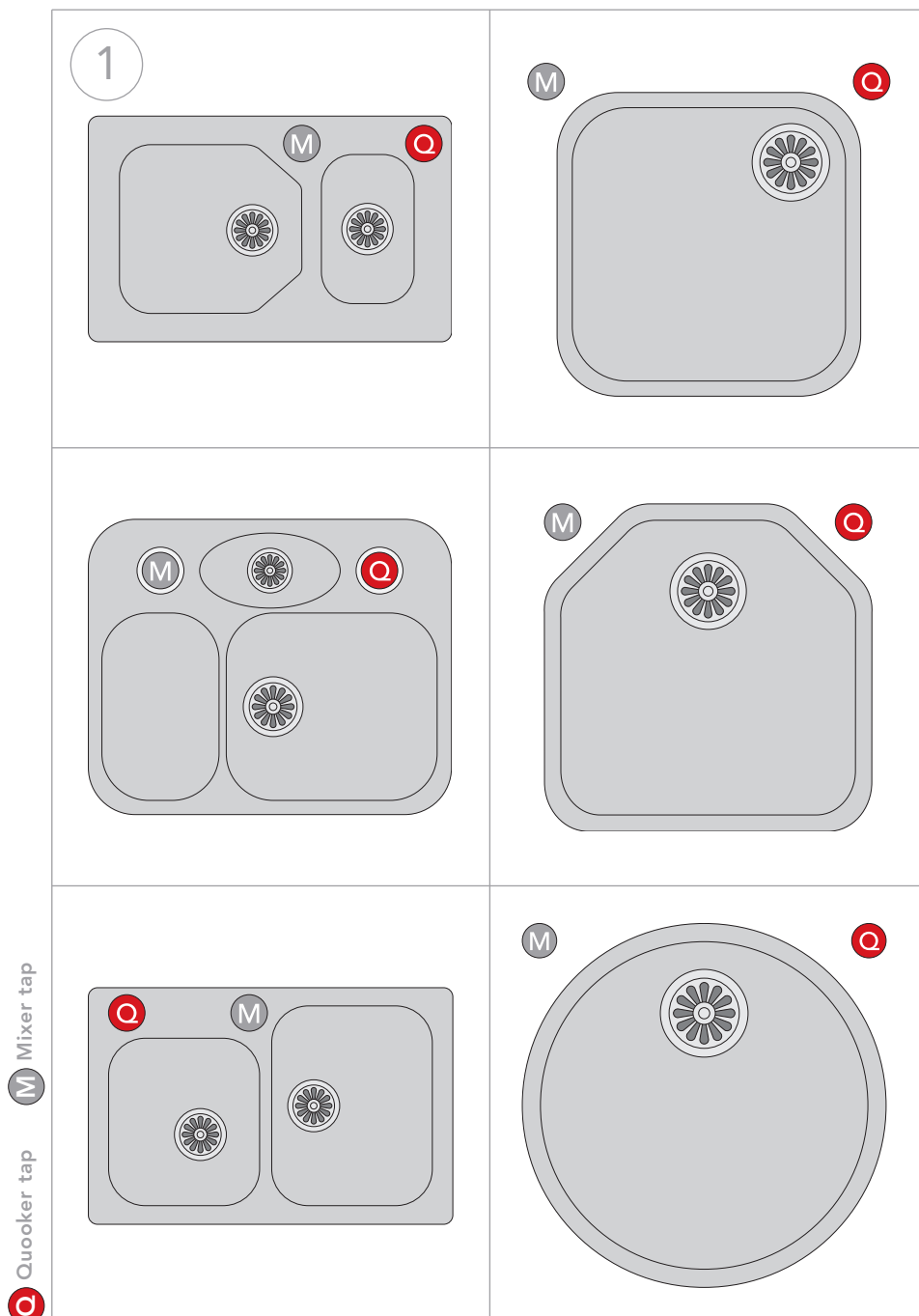
- The tap should be located in one corner of the basin(s).
- N.B. It must be possible to move the tap outlet freely up and down. When the outlet is in its lowest position it projects approx. 25 cm below the sink. Bear this in mind when fitting the inlet combination, sockets and the like.
- The radius of the outlet is a good 16 cm from the centre of the tap hole, which determines how far the outlet extends into the basin.

1 Drilling hole

Allowing for the basin and the mixer tap, select a suitable location for the Quooker tap (see examples). Using the correct drill bit, drill a hole of 32-35 mm in the sink.



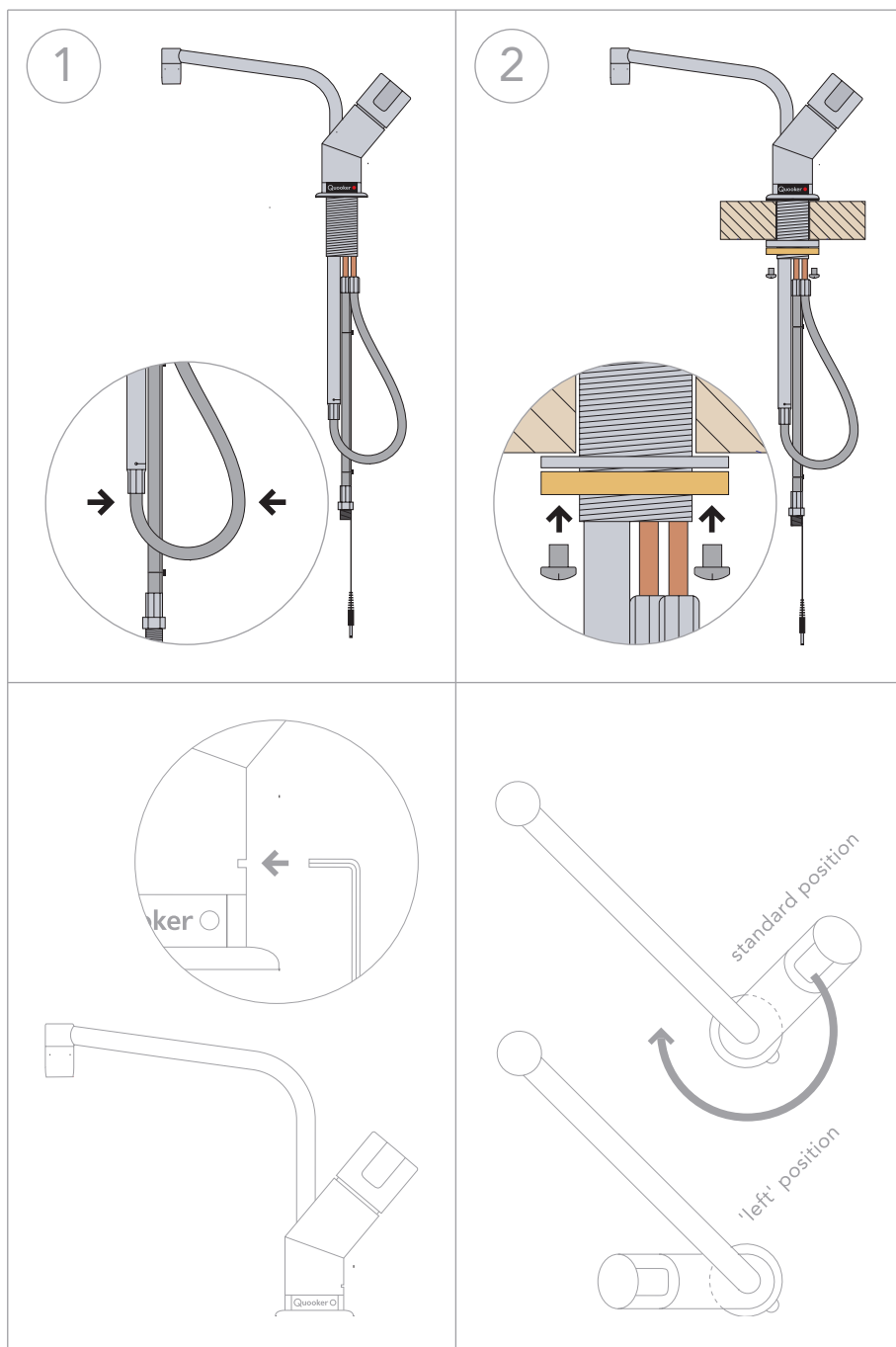
Dimensions in mm



B

Fitting tap

- N.B. The total length of the boiling water hose is only 50 cm. The tank must therefore be fitted close to the tap. An extension hose is available but is not normally required.



1 Tap through sink

Slacken the brass sink nut. Clinch the loop in the hose and remove the sink nut and the loose metal ring. Push the tap through the hole in the sink.

Fit the rubber ring between the tap and the sink.

2 Tightening screws

Set the tap to the desired position and tighten the screws in the sink nut.

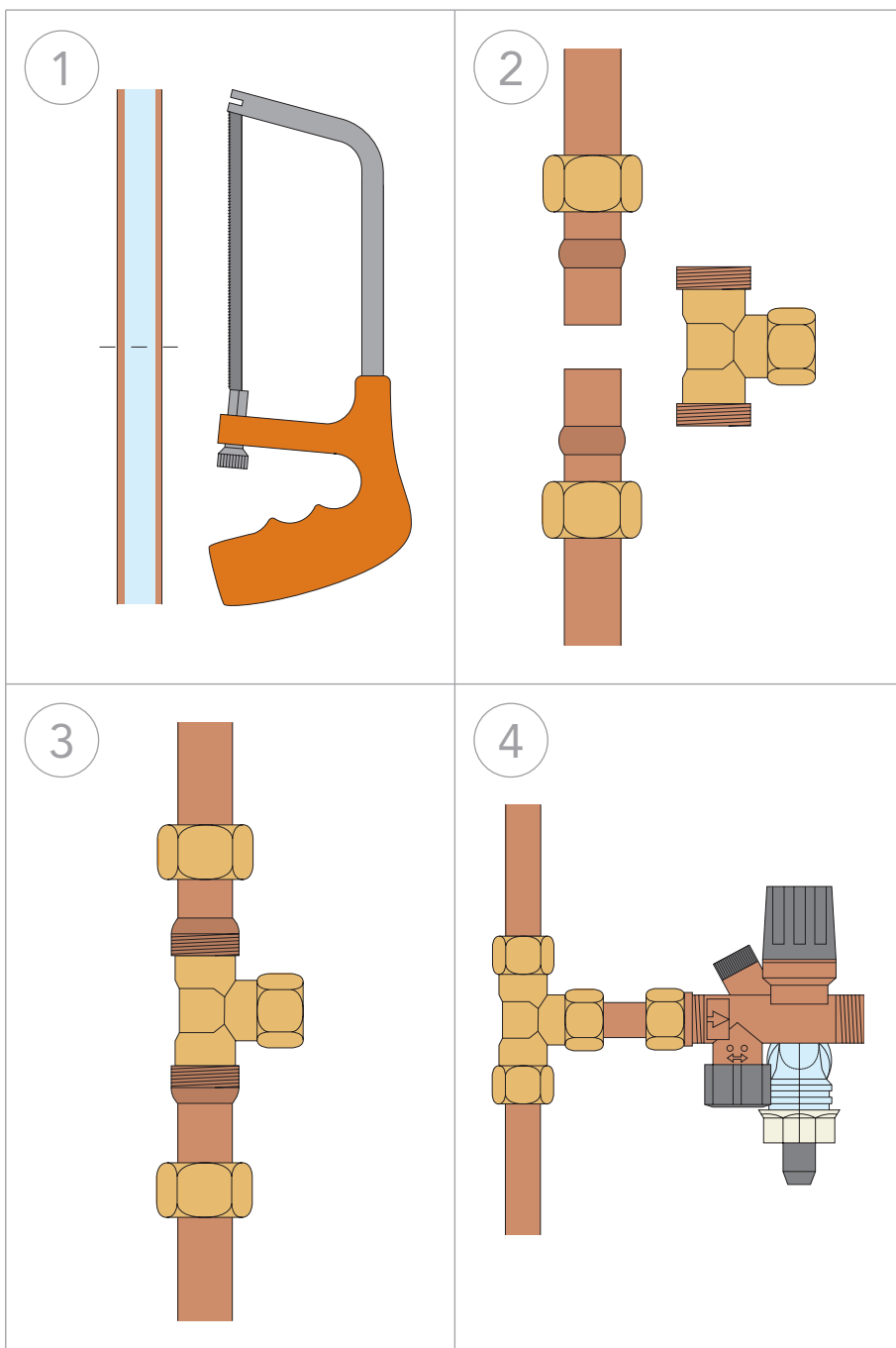
Only if necessary!

A hex head bolt (key width 2 mm) enables the tap to be twisted if necessary. Slacken the hex head bolt. Viewed from above turn it clockwise as far as the stop. Then turn back a few degrees so that the tap outlet is able to move freely up and down. Then retighten the hex head bolt.

C

Connecting water

- N.B. The Quooker operates under water supply pressure and must always be fitted with the inlet combination (supplied).
- The Quooker boiling-water tap must be connected according to the locally applicable regulations.
- Position the inlet combination at such a height that the difference in height between it and the drain is the maximum possible to allow the expansion water to run off (see D4).



1 Cutting through cold water pipe

Cut through the cold water pipe at a suitable point.

2 Making space for T-piece

3 Connecting T-piece

Position the T-piece between the pipe sections and tighten the clamping nuts.

4 Fitting the inlet combination

Connect the inlet combination to the T-piece with a copper tube (15 mm).

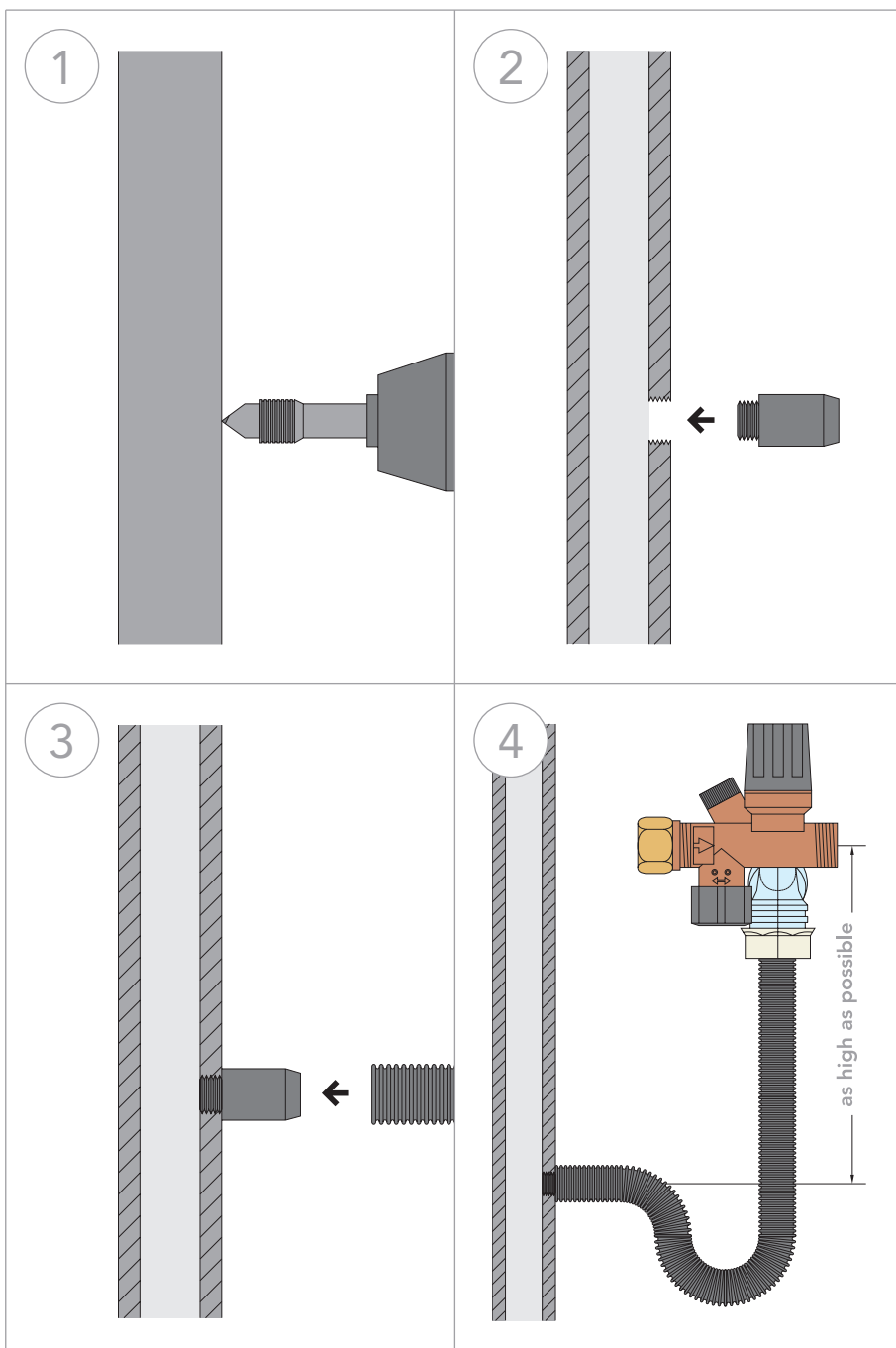
Screw the transparent funnel in the hole in the inlet combination provided for this purpose.

D

Connecting drain

The Quooker tank releases expansion water via the inlet combination during heating, this water being fed into the transparent funnel. The funnel can easily be connected to the drain by means of the drain hose supplied. The drilling kit also supplied can be used to make a connection to the drain pipe.

Try to keep the difference in height between the inlet combination and the connection to the drain as large as possible as the drain water can flow back.



1 Drilling hole

Using the drill bit supplied, drill and tap in one operation a threaded hole in the grey PVC drain pipe. Drill slowly so that the PVC does not melt. Turn back anticlockwise to preserve the thread.

2 Screwing in nipple

First try to screw the nipple in the hole before fitting permanently with PVC glue.

3 Hose to drain

Slide the drain hose over the PVC nipple.

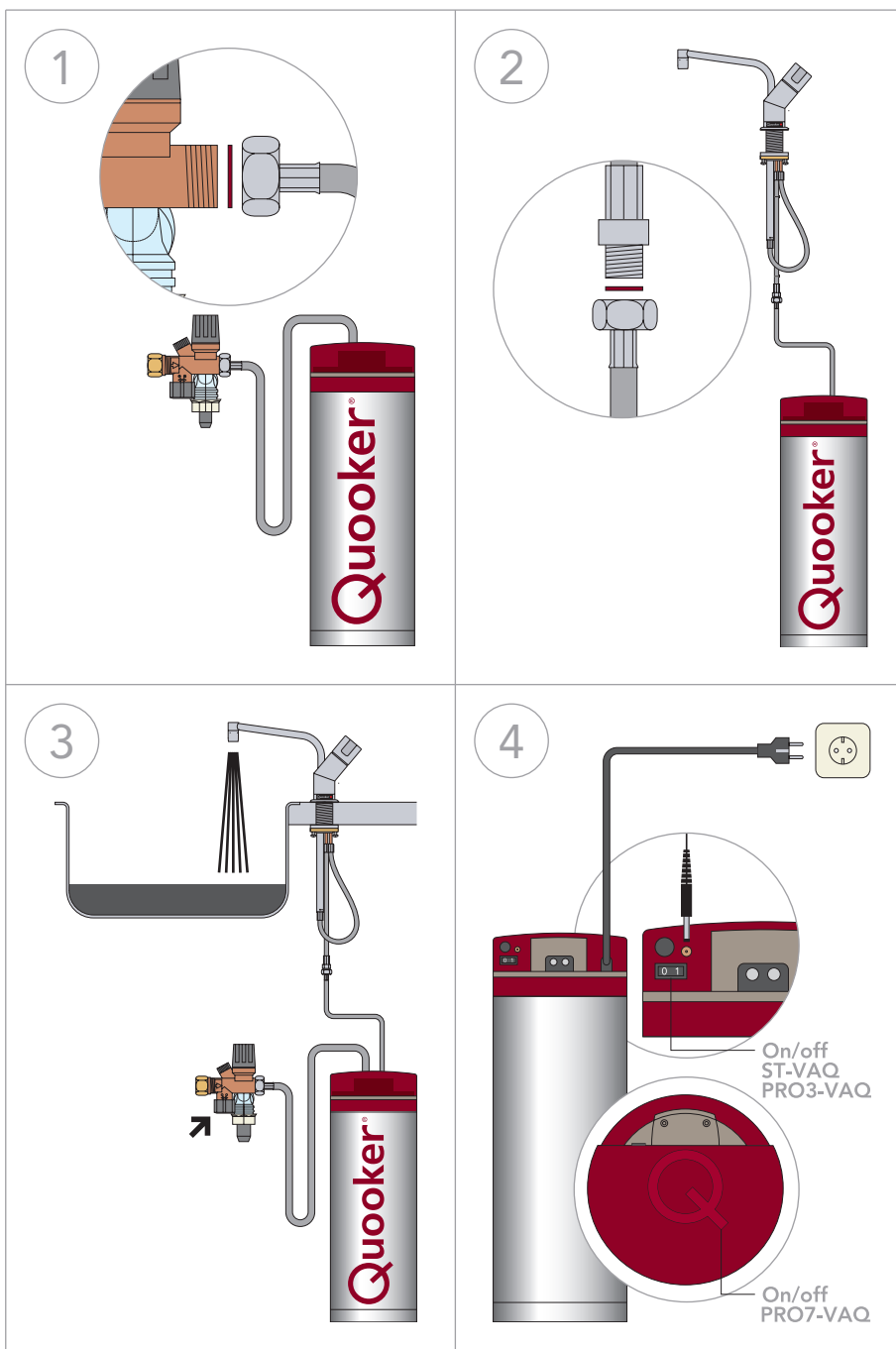
4 Hose on inlet combination

Connect the other side of the hose with a suspended bend to the funnel of the inlet combination. This will create a water lock to prevent smells from the drain pipe.

E

Connecting tank

- N.B. Do not switch on the Quooker until the tank is filled with water.
- The Quooker tank is supplied with a 3-core mains cord with earthed plug. All that is required is an earthed socket close to the appliance.
- The Quooker tap is fitted with an indicator lamp which indicates whether or not the heating element is heating.



1 Connecting tank

Place the Quooker in position and connect it to the inlet combination with the fibre ring supplied.

2 Connecting tap

Connect the other short hose to the tap in the same way with the fibre ring supplied.

3 Flushing tank

Open the Quooker tap. Now open the main tap and the tap of the inlet combination. Check for leaks.

Flush the Quooker through for a few minutes until the water is clear.

Black water will flow out first. This is Norite carbon from the filter and is, incidentally, completely harmless.

4 Electrical connection

To connect the indicator lamp insert the plug into the hole provided.

Connect the tank to an earthed socket and do not switch it on until the tank is filled with water. The 'Q' button on top of the tank is the on/off - switch.

After the Quooker has heated up, the entire content of boiling water must be flushed out once before use.



www.quooker.co.uk